

Single impeller centrifugal pumps with hydraulic components manufactured from stainless steel AISI 304, suitable for pressure boosting, water supply, treatment & irrigation. Air conditioning systems and general water pumping including moderately aggressive liquids



SPECIFICATIONS

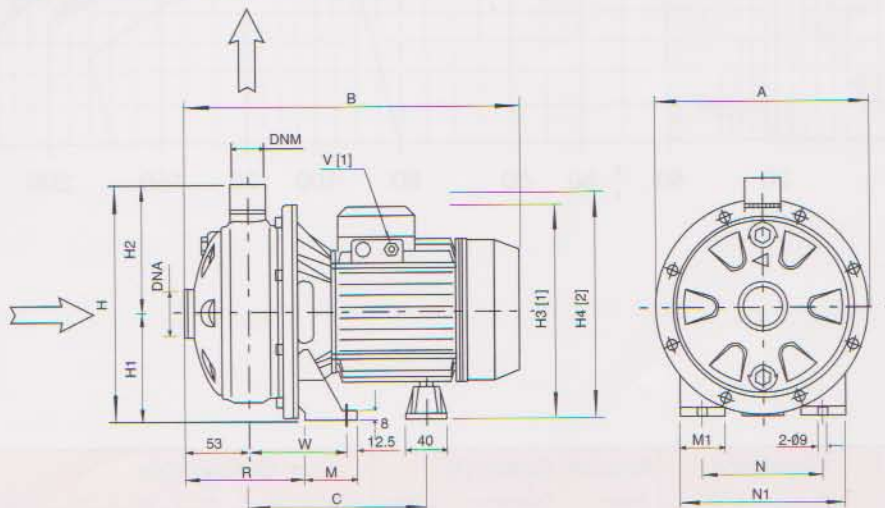
- * Maximum working pressure: 8 bar
- * Maximum liquid temperature: 60°C for uses of model CX-50, CX-75, CX-100 90°C for other models

MATERIALS

- * Pump body, impeller, diffuser and casing cover in AISI 304
- * Shaft in AISI 303
- * Bracket and motor casing in alluminium
- * Mechanical seal in carbon/ceramic/NBR
- * Special mechanical seal are available on demand

TECHNICAL DATA

- * T.E.F.C. 2 poles motor
- * Insulation class F
- * Protection degree IP55
- * 1~230V ± 10% 50Hz, 3~230/400V ± 10% 50Hz
- * Permanent split capacitor and automatic thermal overload protection for single-phase version
- * Thermal protection to be provided by the user for three-phase version

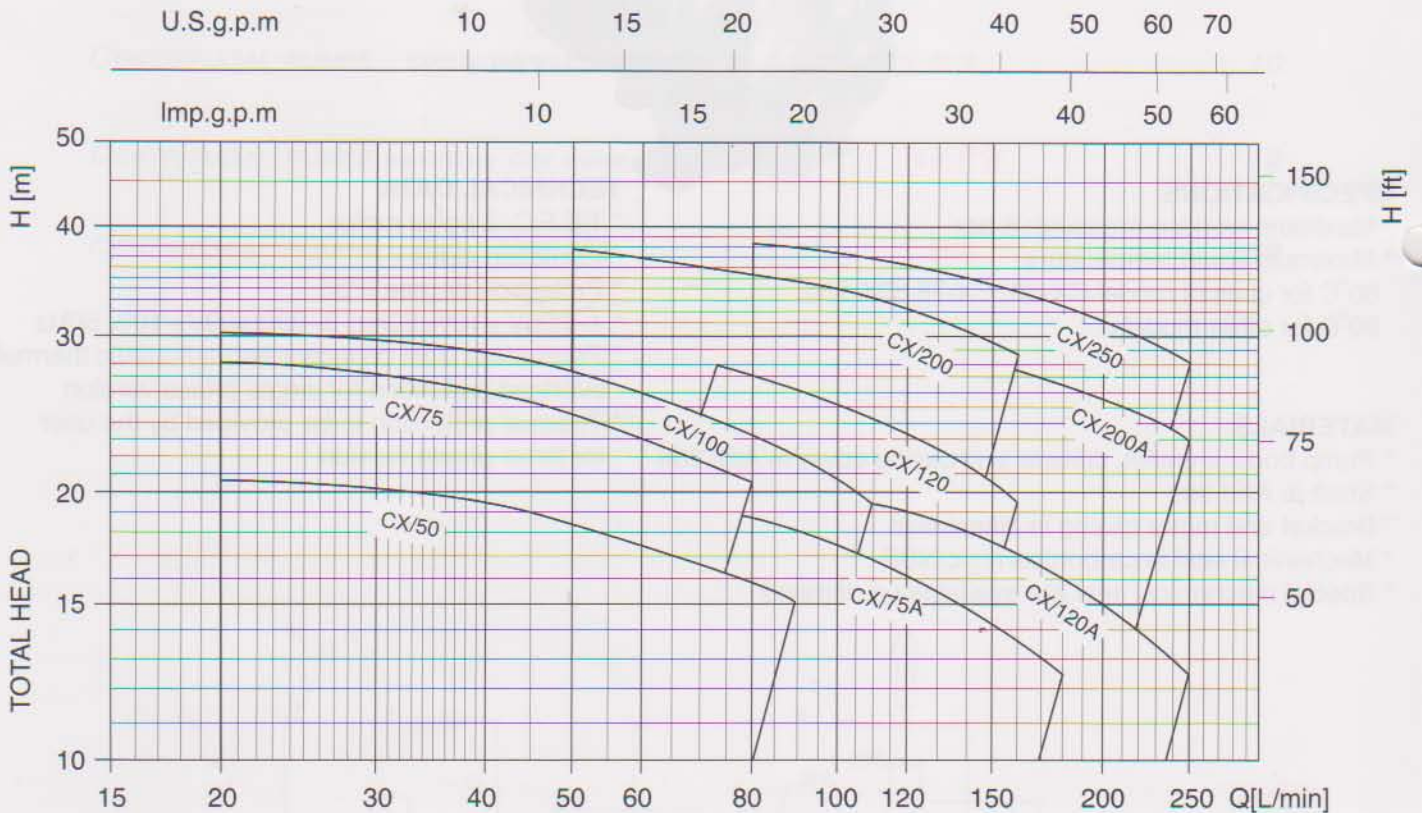


DIMENSIONAL TABLE

Pump type		Dimensions (mm)																	Weight Kg			
		A	B	C	H	H1	H2	H3	H4	M	M1	N	N1	R	T	W	DNA	DNM	Single-phase	Three-phase		
Single-phase	Three-phase		1~	3~																		
CX/50	CX/50	208	318	318	178	229,5	106	123,5	209	215	50	38	120	160	108	PG11	92,5	1 1/4"	1"			
CX/75	CX/75	208	318	318	178	229,5	106	123,5	209	215	50	38	120	160	108	PG11	92,5	1 1/4"	1"	9,1	9,1	
CX/100	CX/100	208	318	318	178	229,5	106	123,5	209	215	50	38	120	160	108	PG11	92,5	1 1/4"	1"	10,4	10,4	
CX/75A	CX/75A	208	318	318	178	229,5	106	123,5	209	215	50	38	120	160	108	PG11	92,5	1 1/4"	1"	11,9	11,9	
CX/120	CX/120	208	318	318	178	229,5	106	123,5	209	215	50	38	120	160	108	PG13,5	92,5	1 1/4"	1"	10,4	10,4	
CX/200	CX/200	232	345	345	199	250	118	132	235	253	55	40	140	180	105,5	PG13,5	95	1 1/4"	1"	12,5	12,5	
CX/120A	CX/120A	208	318	318	178	229,5	106	123,5	209	215	50	38	120	160	108	PG13,5	92,5	1 1/2"	1"	17,2	16,2	
CX/200A	CX/200A	208	345	345	199	229,5	106	123,5	223	240	55	40	140	180	105,5	PG13,5	95	1 1/2"	1"	16,3	11,4	
	CX/250	232	-	345	199	250	118	132	235	-	55	40	140	180	105,5	-	95	1 1/2"	1"	15,3	14,2	

PERFORMANCE CHART

series (according to ISO 9906 grade 2)

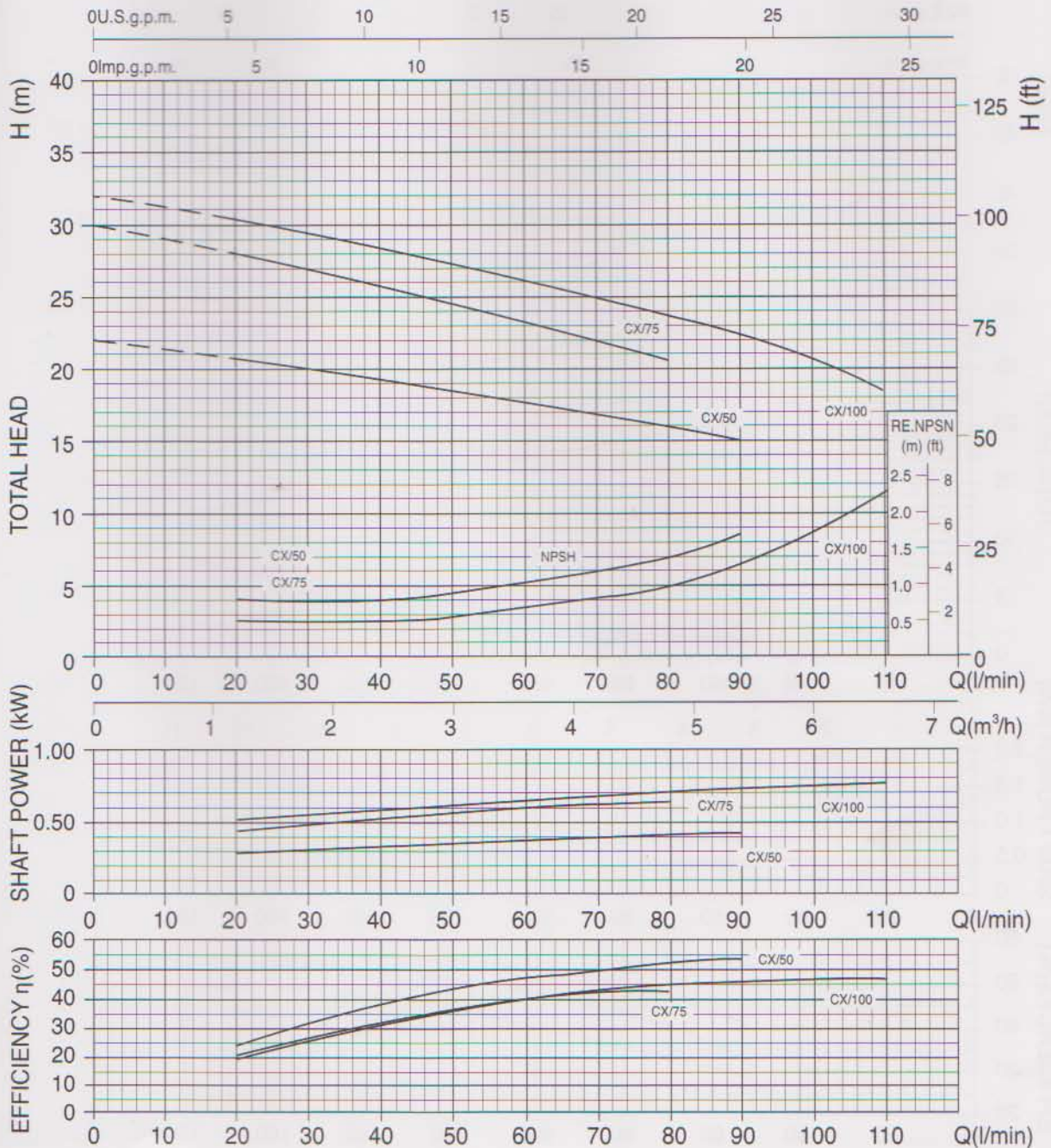


PERFORMANCE TABLE

Pump type		kW	Capacitor		Absorbed Current (A)			Q=Capacity	Q=Capacity										
Single-phase 230V 50Hz	Three-phase 230/400V 50Hz		μF	Vc	Single-phase	Three-phase 230V 400V			l/min m ³ /h	20	50	80	90	110	130	160	180	210	250
CX/50	CX/50	0,37	12,5	450	3,1	2,4	1,4	20,7	18,4	15,9	15	-	-	-	-	-	-	-	
CX/75	CX/75	0,55	16	450	4,6	3,5	2,0	28	24,5	20,5	-	-	-	-	-	-	-	-	
CX/100	CX/100	0,75	20	450	5,6	4,0	2,3	30,3	27,2	23,6	22,3	19,5	-	-	-	-	-	-	
CX/75A	CX/75A	0,55	16	450	4,6	3,2	1,9	-	20,5	18,7	18,1	16,8	15,5	13,7	12,5	-	-	-	
CX/120	CX/120	0,9	31,5	450	6,9	5,2	3,0	-	29,5	27,1	26,1	24,3	22,4	19,5	-	-	-	-	
CX/200	CX/200	1,5	40	450	9,3	7,0	4,0	-	37,5	35,5	34,6	33,1	31,4	28,6	-	-	-	-	
CX/120A	CX/120A	0,9	31,5	450	6,3	4,7	2,7	-	-	20,6	20,2	19,5	18,5	17,1	16,1	14,6	12,5	-	
CX/200A	CX/200A	1,5	40	450	10,7	7,0	4,0	-	-	31	30,6	29,7	28,9	27,5	26,6	25,1	23	-	
	CX/250	1,85	-	450	-	8,2	4,8	-	-	38	37,5	36,4	35,3	33,6	32,4	30,5	28	-	

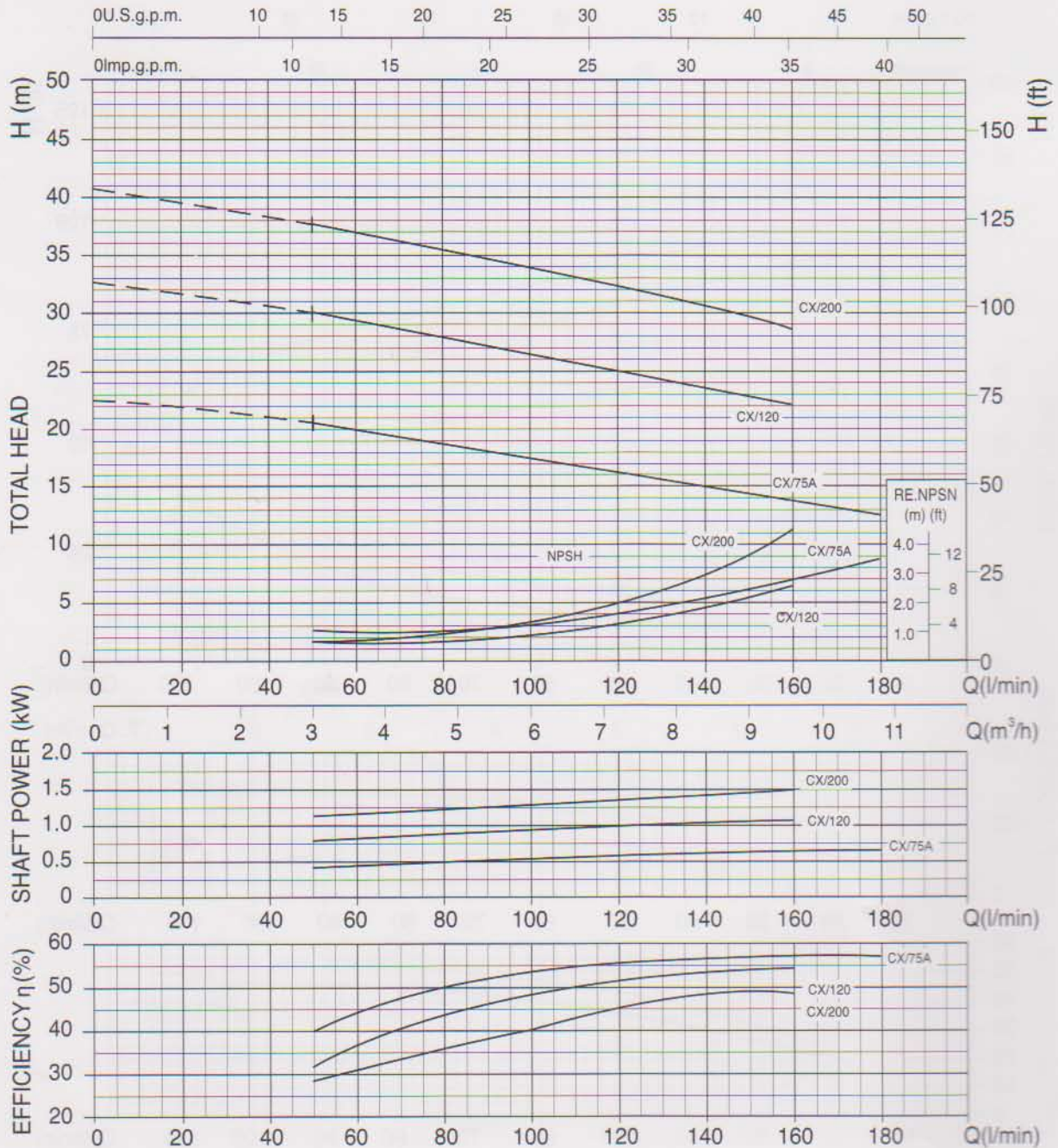
PERFORMANCE CURVES CX 50-100

series (according to ISO 9906 grade 2)



PERFORMANCE CURVES CX 75A-200

series (according to ISO 9906 grade 2)



PERFORMANCE CURVES CX 120A-250

series (according to ISO 9906 grade 2)

